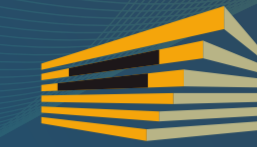


Articulated device for setting sanitary appliances



TYPE OF RESULT

New technology
 [**New product**]
 New service
 New knowledge or skill



COMMERCIAL MATURITY LEVEL

Conceptual idea
 Proof of concept (design)
 [**Validated in a controlled
 environment**]
 Validated in a real environment
 Successfully implanted



PROTECTION LEVEL

Non- applicable
 Patent
 Software
 Know - how
 [**Utility model**]

Invention title

ARTICULATED DEVICE FOR PLACING
SANITARY PARTS SUCH AS SINKS AND
SINKS

File number

ES1147083Y

Priority date

10/09/2015

Status

Granted

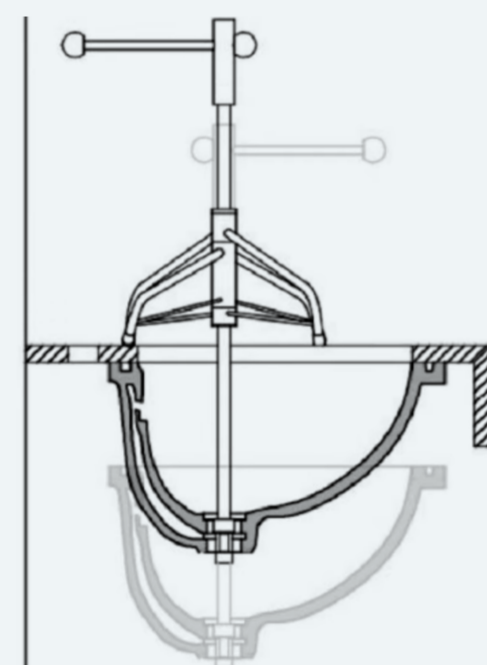
Country

Spain

Description of the solution. Problem solved

In building sector, transport of counter tops with integrated sanitary appliances (washbasins or sinks) is complicated, since palletizing both pieces imply risk of damaging during transportation. Due to this, these pieces are usually separated and they are put together directly during the construction works.

Usually, sanitary appliances are installed manually by using a wire and wooden blocks that are used as a guide. This way, the installer has to do some physical efforts and needs to be skilled to put the sanitary appliance in the right place and set it on the counter top.



The designed device is able to support the weight of the washbasin or sink, allowing the installer to centre progressively the piece in the counter top cut-out as it fits to it without any corrections needed in the placement.

Therefore, this device can be an alternative for the installers when placing the sanitary appliances on the counter

tops, which optimises installation time and reduces both physical effort and damage in the sanitary appliances.

Fields of commercial application

In this case, building industry is the target sector, more concretely business working on refurbishments, maintenance, reforms and other building works that are in charge of installation of sanitary appliances (washbasins and sinks) and kitchen and bathroom counter tops.

Market opportunity

Currently, there are no devices or tools created to help installers during the installation of washbasins and sinks, so these tasks are done manually and the results of the installation depend on the experience and good skills of the installer.

Also, the fact that the device optimises times and physical effort needed turns it into a useful tool in large building works, where there is a high volume of installations. In such works counter tops and sanitary appliances are transported separately in order to avoid damages.

This device is protected by a utility de model (U201500662) and its prototype has been tested in relevant environments, being proved its effectiveness and versatility to be adapted and customised to specific needs.

Competitive advantage

The device has the following advantages when compared to other current methods:

- Installation time optimisation that reduces the time invested when the sanitary appliance is fitted in the counter top.
- There is no need to correct the placement of the sanitary appliance on the counter top. This also allows to apply quick glues, improving the process.
- Higher safety during transportation of sanitary appliances and counter tops, reducing this way the chances of suffering potential damages on the pieces.
- Effortless transportation and installation of the materials by the installer, which means less risk and more velocity during works.

AUTHOR

Romarey Ruiz Mendoza; José Pablo Suárez Rivero; Gustavo Manuel Rodríguez Batista

CONTACT

Oficina Transferencia de Resultados de
 Investigación (OTRI)
 @ arivero@fpct.ulpgc.es
 ☎ 928 45 99 56 / 43

<https://otri.ulpgc.es/>

